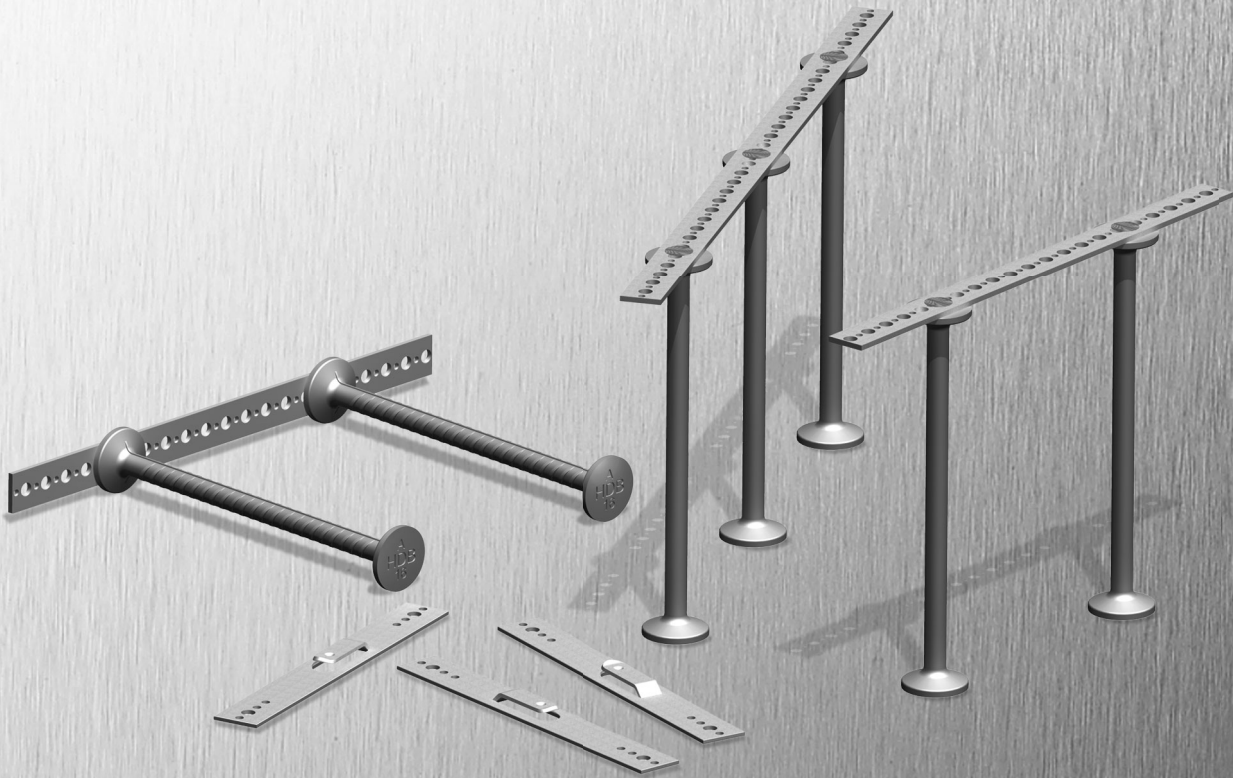


HALFEN HDB SHEAR RAIL
PUNCHING REINFORCEMENT
EUROPEAN TECHNICAL ASSESSMENT ETA-12/0454



HALFEN SHEAR RAIL

ETA_HDB 12/17-E

CONCRETE



HALFEN
YOUR BEST CONNECTIONS

HALFEN HDB SHEAR RAIL

General note

Use of third-party products

This assessment only applies to original HALFEN products manufactured by HALFEN. The specifications in this assessment are not transferable to other products. Users are fully liable for personal injuries and material damage caused by third-party products used instead of HALFEN products.

Approval body for construction products
and types of construction

Bautechnisches Prüfamt

An institution established by the Federal and
Laender Governments



European Technical Assessment

ETA-12/0454
of 18 December 2017

English translation prepared by DIBt - Original version in German language

General Part

Technical Assessment Body issuing the
European Technical Assessment:

Deutsches Institut für Bautechnik

Trade name of the construction product

HALFEN HDB shear rail

Product family
to which the construction product belongs

Double headed studs as punching reinforcement

Manufacturer

HALFEN GmbH
Liebigstraße 14
40764 Langenfeld
DEUTSCHLAND

Manufacturing plant

HALFEN GmbH
Otto-Brünner-Straße 3
06556 Artern
DEUTSCHLAND
Halfen-Produkcja Sp. zo.o.
ul. Kolejowa 18a
63-460 Nowe Skalmierzyce
POLEN

This European Technical Assessment
contains

20 pages including 3 annexes which form an integral part
of this assessment

This European Technical Assessment is
issued in accordance with Regulation (EU)
No 305/2011, on the basis of

EAD 160003-00-0301

This version is a corrigendum to

ETA-12/0454 issued on 18 December 2017

European Technical Assessment
ETA-12/0454
English translation prepared by DIBt

Page 2 of 20 | 18 December 2017

The European Technical Assessment is issued by the Technical Assessment Body in its official language. Translations of this European Technical Assessment in other languages shall fully correspond to the original issued document and shall be identified as such.

Communication of this European Technical Assessment, including transmission by electronic means, shall be in full. However, partial reproduction may only be made with the written consent of the issuing Technical Assessment Body. Any partial reproduction shall be identified as such.

This European Technical Assessment may be withdrawn by the issuing Technical Assessment Body, in particular pursuant to information by the Commission in accordance with Article 25(3) of Regulation (EU) No 305/2011.

Specific Part

1 Technical description of the product

The Halfen HDB double headed studs with ribbed shafts are made of weldable ribbed reinforcement bars with a nominal characteristic yield strength of 500 MPa, the Halfen HDB-G double headed studs with smooth shafts are made of weldable, structural steel with a nominal characteristic yield strength of 500 MPa. The mechanical properties of the steel for fill the requirement according to EN 1992-1-1, Annex C.

They have a head at both ends with a diameter of three times the shaft diameter.

The diameters of the shafts are 10, 12, 14, 16, 18 and 20 mm for studs with smooth shafts and 10, 12, 14, 16, 20 and 25 mm for studs with ribbed bars.

The studs are assembled to form reinforcement elements comprising at least two studs (see figure 1). The studs are tack welded or clamped at one end to a non-structural steel rail or reinforcing bars for securing the position of the double headed studs when pouring the concrete. All studs of one of those reinforcement element shall have the same diameter.

To secure the position of the stud's during casting, bars of weldable reinforcing steel $d_s = 6$ mm to $d_s = 10$ mm or rails made of structural steel with a nominal characteristic yield strength of 235 MPa (S235JR acc. to EN 10025-2) or non-corrosive steel (No. 1.4401, 1.4404, 1.4571 acc. to EN 10088-5) are used.

The detailed product description is given in Annex A.

2 Specification of the intended use in accordance with the applicable European Assessment Document

The performances given in Section 3 are only valid if the Product is used in compliance with the specifications and conditions given in Annex B.

The verifications and assessment methods on which this European Technical Assessment is based lead to the assumption of a working life of the Product of at least 50 years. The indications given on the working life cannot be interpreted as a guarantee given by the producer, but are to be regarded only as a means for choosing the right products in relation to the expected economically reasonable working life of the works.

3 Performance of the product and references to the methods used for its assessment

3.1 Mechanical resistance and stability (BWR 1)

Essential characteristic	Performance
Increasing factor for punching shear resistance	$k_{pu,sl} = 1,96$ $k_{pu,fo} = 1,50$
characteristic fatigue strength for $N = 2 \cdot 10^6$ load cycles	$\Delta\sigma_{Rsk,n=2 \cdot 10^6} = 70$ MPa

3.2 Safety in case of fire (BWR 2)

Essential characteristic	Performance
Reaction to fire	class A1

4 Assessment and verification of constancy of performance (AVCP) system applied, with reference to its legal base

In accordance with EAD No. 160003-00-0301 the applicable European legal act is: [97/597/EC(EU)].

The system(s) to be applied is (are): [1+]

In addition, with regard to reaction to fire for products covered by this EAD the applicable European legal act is: [2001/596/EC(EU)]

The system to be applied is: [4]

5 Technical details necessary for the implementation of the AVCP system, as provided for in the applicable EAD

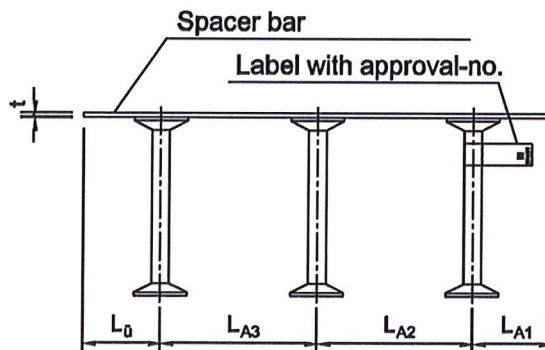
Technical details necessary for the implementation of the AVCP system are laid down in the control plan deposited with Deutsches Institut für Bautechnik.

Issued in Berlin on 18 December 2017 by Deutsches Institut für Bautechnik

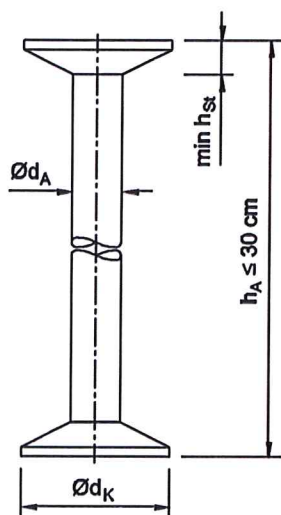
BD Dipl.-Ing. Andreas Kummerow
Head of Department

beglaubigt:
Schüler

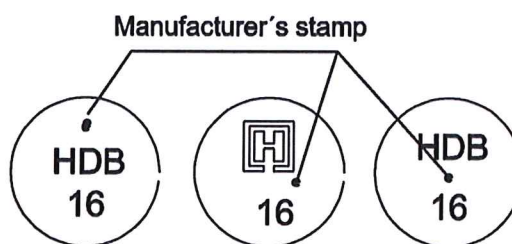
HDB - G - Double Headed Stud - Elements



HDB - G stud dimensions



HDB - G studs identification on both (heads/ends) e.g.



Material: reinforcement steel with a
characteristic yield strength of
 $f_{yk} \geq 500 \text{ MPa}$
acc. to EN 1992-1-1, annex C
and provided data sheet

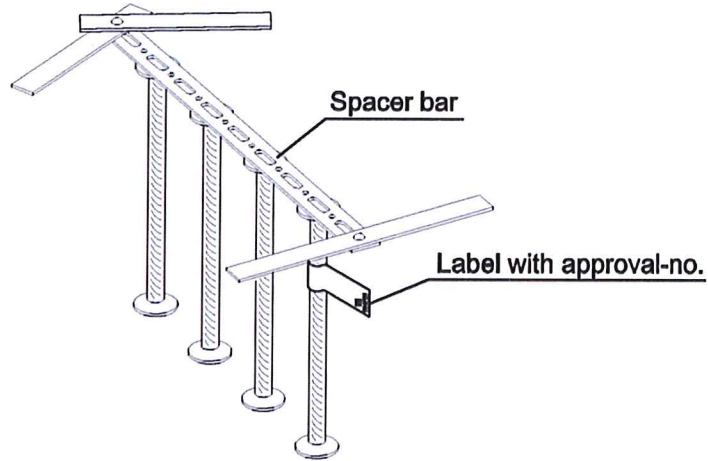
Stud- \varnothing d_A [mm]	Head- \varnothing d_K [mm]	Head thickness min h_{St} [mm]	Stud section A S DKA [mm ²]	Characteristic value for yield strength f_{yk} [MPa]	Anchor height $h_A \leq 300 \text{ mm}$
10	30	5	79	500	$h_A =$ slab thickness - upper and lower concrete cover
12	36	6	113		
14	42	7	154		
16	48	8	201		
18	54	9	254		
20	60	10	314		

HALFEN HDB double headed studs for punching shear reinforcements

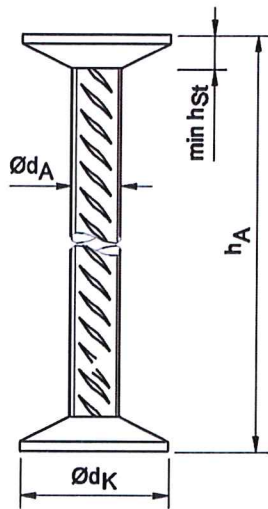
Product description
HDB-G stud dimensions and types

Annex A1

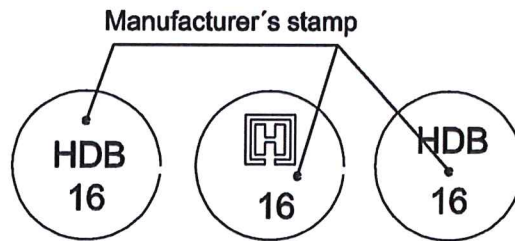
HDB - Double-Headed Stud - Elements



HDB stud dimensions



HDB studs identification on both (heads/ends) e.g.



Material: reinforcement steel with a characteristic yield strength of $f_{yk} \geq 500$ MPa acc. to EN 1992-1-1, annex C and provided data sheet

Stud- \varnothing d_A [mm]	Head- \varnothing d_K [mm]	Head thickness $min\ h_{St}$ [mm]	Stud section AS DKA [mm ²]	Characteristic value for yield strength f_{yk} [MPa]	Anchor height h_A [mm]
10	30	5	79	500	$h_A =$ slab thickness - upper and lower concrete cover
12	36	6	113		
14	42	7	154		
16	48	7	201		
20	60	9	314		
25	75	12	491		

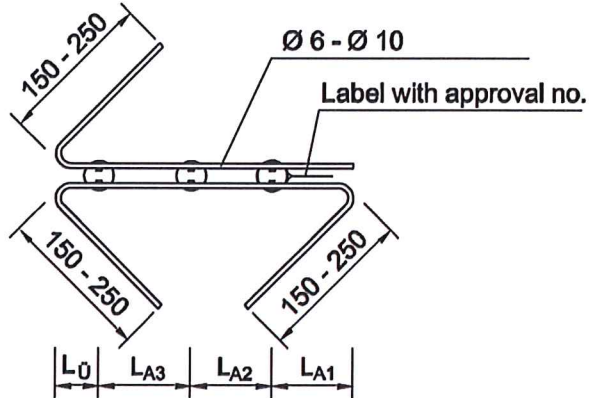
HALFEN HDB double headed studs for punching shear reinforcements

Product description
HDB stud dimensions and types

Annex A2

Spacer bars from reinforcement bars or round bars

- with bent off endings



Example:
Label with approval no.

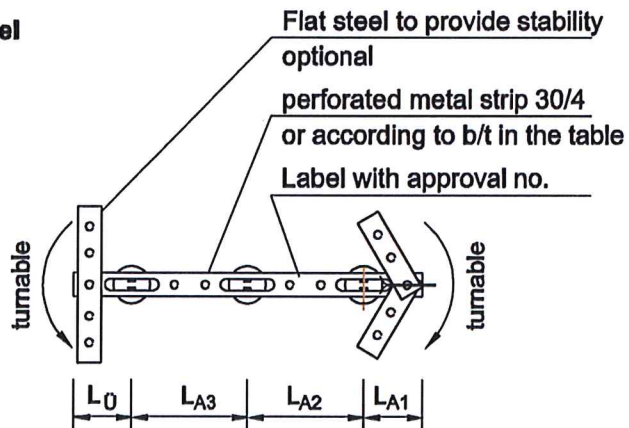


Material: Reinforcement steel (acc.to EN 1992-1-1 Annex C and provided data sheet)
Round bars: A4 = 1.4571/ 1.4401/ 1.4404 (acc. to EN 10088-5:2009)
S 235 JR = 1.0038 (acc.to EN10025-2:2004)

Spacer bar from flat steel

- with turnable flat steel

Stud -Ø Ø d _A	b	t
10, 12	30	3
14, 16	40	3
18, 20	60	3
[mm]		



Material: A4 = 1.4571/ 1.4401/ 1.4404 (acc. to EN 10088-5:2009)
S 235 JR = 1.0038 (acc.to EN10025-2:2004)
DD11 = 1.0332 (acc. to EN10111:2008)

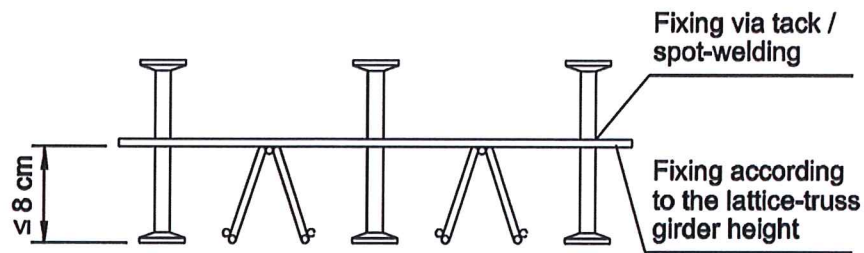
HALFEN HDB double headed studs for punching shear reinforcements

Product description
Spacer bars for HDB shear rails

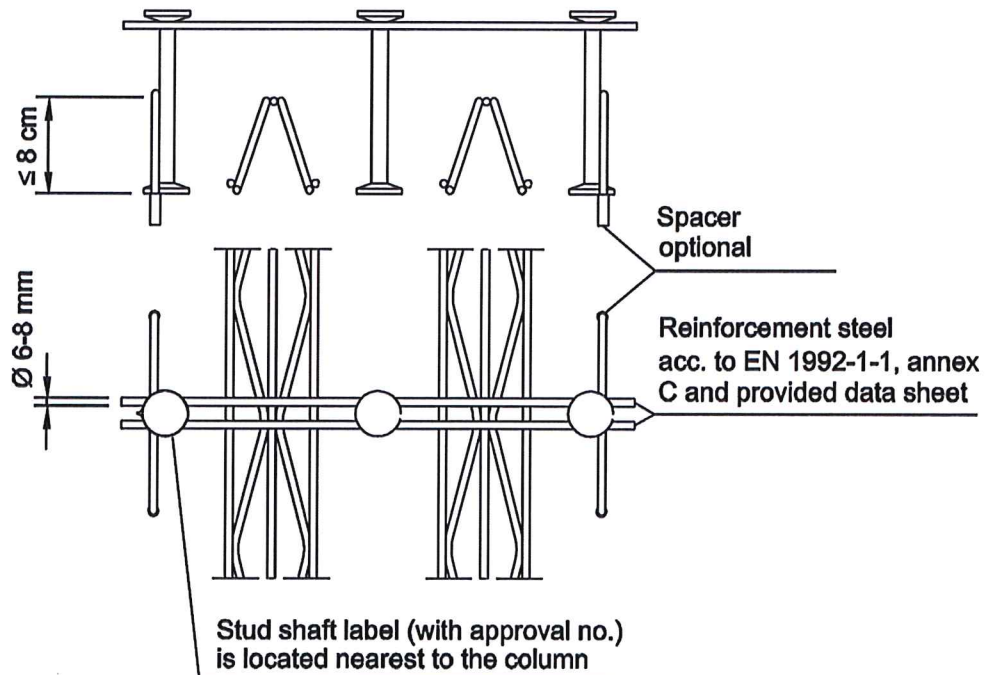
Annex A3

HDB - G - reinforcing elements for precast elements Types with spot-welded positioning-elements

Positioning of the HDB - reinforcing elements on top of the
lattice-truss girder



Fixing the HDB - reinforcing elements using spacers

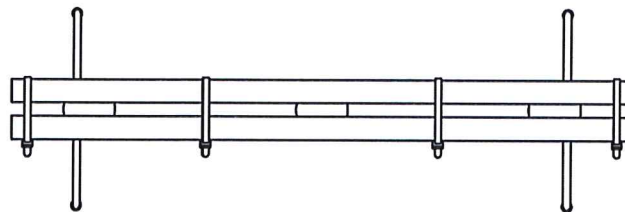
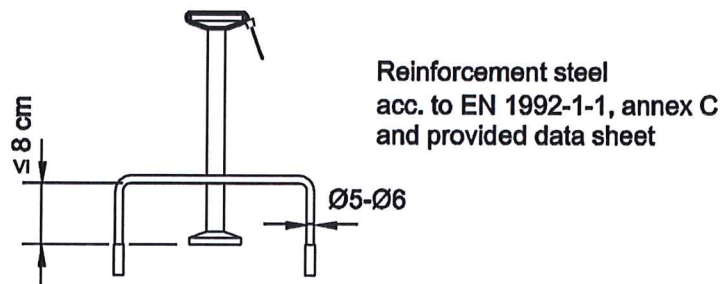
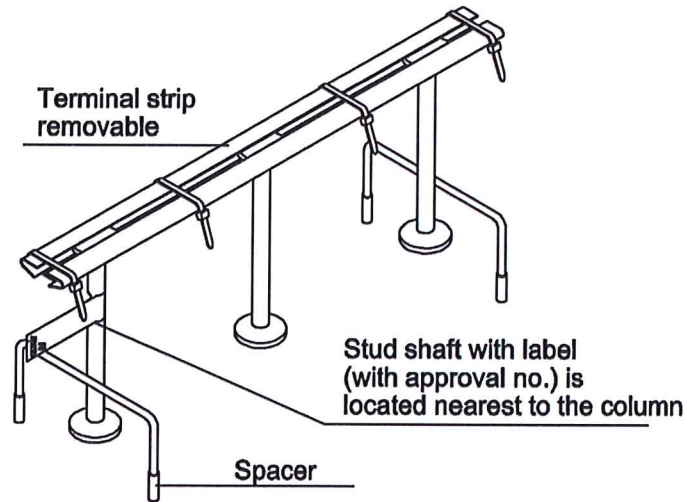


HALFEN HDB double headed studs for punching shear reinforcements

Product description
HDB shear rail for precast elements (spot-welded positioning elements)

Annex A4

HDB (-G) - reinforcing elements for precast elements Type with removable positioning-elements



HALFEN HDB double headed studs for punching shear reinforcements

Product description
HDB shear rail for precast elements (removable assembly-elements)

Annex A5

Specifications of intend of use

The reinforcement elements with double headed studs are intended to be used for the increase of the punching shear resistance of flat slabs or footings and ground slabs under static, quasi-static and fatigue loading. The reinforcement elements with double headed studs are located adjacent to columns or high concentrated loads. The design of the punching shear resistance of flat slabs or footings and ground slabs is done in accordance with EOTA TR 060.

The intended use covers the following specifications:

- flat slabs or footings and ground slabs made of reinforced normal weight concrete of strength class C20/25 to C50/60 according to EN 206-1:2013
- flat slabs or footings and ground slabs with a minimum height of $h = 180$ mm
- flat slabs or footings and ground slabs with a maximum effective depth of $d = 300$ mm (only for double headed studs with smooth shafts)
- reinforcement elements with double headed studs of the same diameter and type (ripped or smooth) in the punching area around a column or high concentrated load
- reinforcement elements with double headed studs installed in an upright (rail at the bottom of the slab) or hanging position
- reinforcement elements with double headed studs positioned such that the double headed studs are perpendicular to the surface of flat slabs or footings and ground slabs
- reinforcement elements with double headed studs directed radially towards the column or high concentrated load and distributed evenly in the critical punching area
- reinforcement elements with double headed studs positioned such that the upper heads of the studs reach at least to the outside of the uppermost layer of the flexural reinforcement
- reinforcement elements with double headed studs positioned such that the lower heads of the studs reach at least to the outside of the lowest layer of the flexural reinforcement
- reinforcement elements with double headed studs positioned such that the concrete cover complies with the provisions according to EN 1992-1-1
- reinforcement elements with double headed studs positioned such that the minimum and maximum distances between the double headed studs on an element and between the elements as arranged around a column or area of high concentrated load complies with the provisions according to Annex B3 to B8
- The provisions are kept on site with an accuracy of $0,1h$ (h height of the slab)

HALFEN HDB double headed studs for punching shear reinforcements

Intended use
Specifications

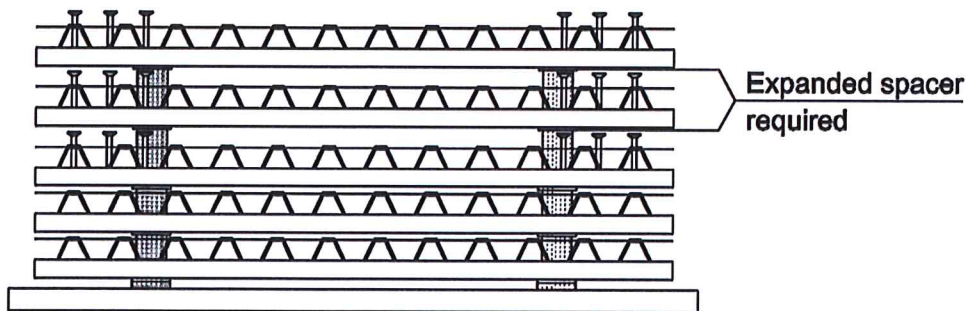
Annex B1

Installation:

- When installed correctly, the reinforcement elements have sufficient robustness to withstand usual actions before concreting.
- In case the studs are intended for use in prefabricated slabs there are no requirements in terms of before mentioned robustness if there are other possibilities to ensure a safe transport and positioning.

Packaging, transport and storage:

- Special considerations shall be given to the transportation of the prefabricated elements to avoid any damage to the anchorage of the headed studs in the precast slab. When storing and transporting precast elements, the height of the double headed stud-elements has to be considered. Higher spacers are required when stacking the precast elements.



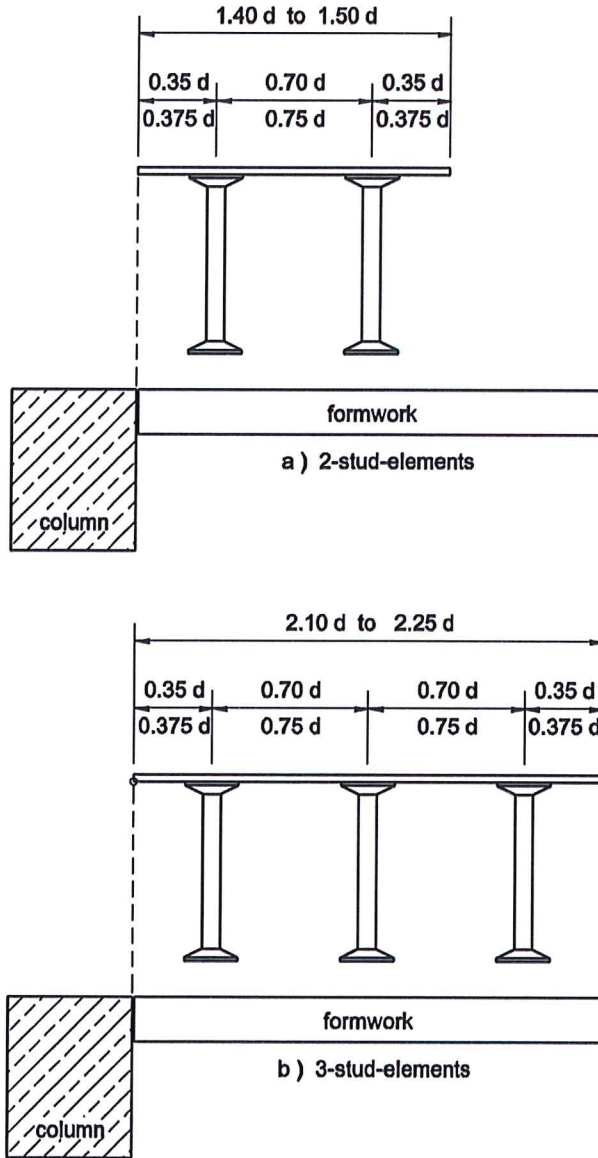
HALFEN HDB double headed studs for punching shear reinforcements

Intended use
Specifications

Annex B2

Design of the HDB (-G) - system elements

The symmetric overlap of the spacer bar is used to ensure correct spacing of the elements from the column. Furthermore, it ensures the right radial spacing between two adjacent stud elements.

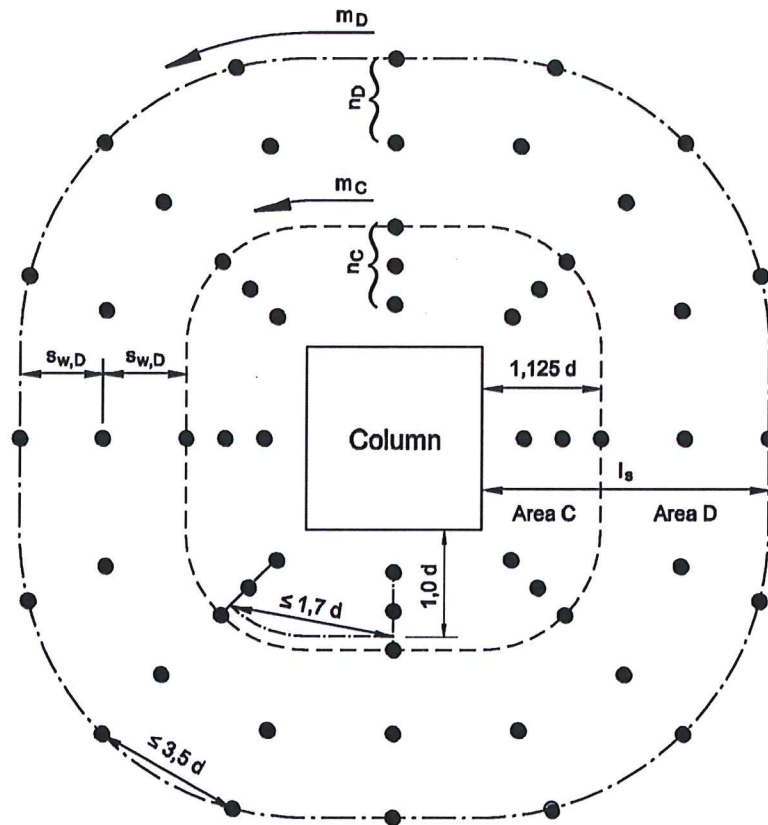


HALFEN HDB double headed studs for punching shear reinforcements

Intended use
Standard system arrangement

Annex B3

Principle arrangement of the HDB (-G) - studs In slabs



- m_C number of elements (rows) in area C
- m_D number of elements (rows) in area D
- n_C number of studs of each element (row) in area C
- n_D number of studs of each element (row) in area D
- s_{w,D} radial spacing in area D

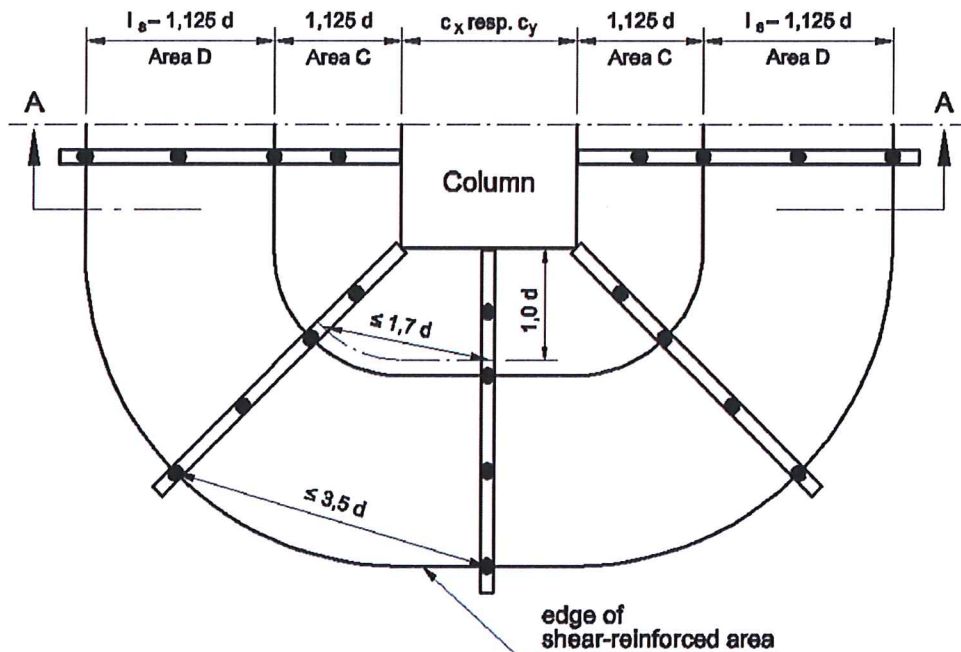
HALFEN HDB double headed studs for punching shear reinforcements

Intended use
Principle arrangement of HDB studs in slabs

Annex B4

Placing the punching shear reinforcement using complete elements in slabs

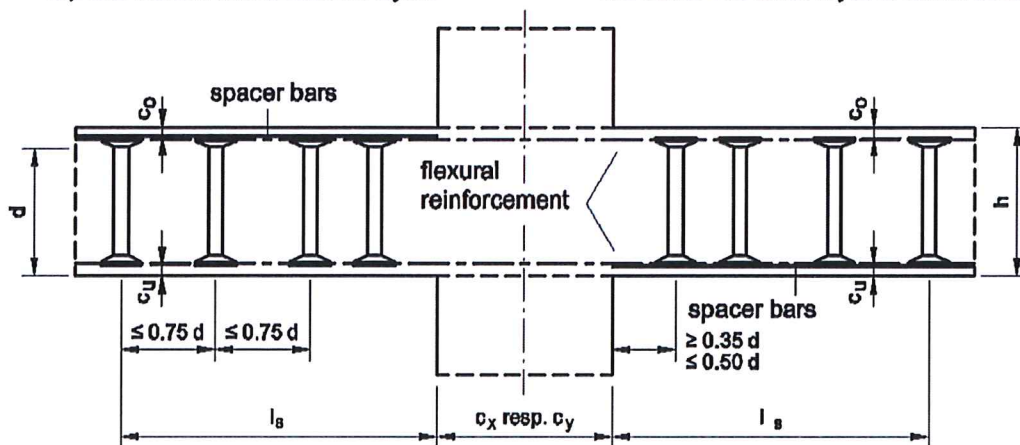
Plan view



Section A - A

Installation after placing the
top and bottom reinforcement layers

Reverse Installation; spacer bars
are under the lower layer of reinforcement



Concrete cover c_o resp. c_u acc. to EN1992-1-1 : 2004 + AC : 2010, section 4.4

HALFEN HDB double headed studs for punching shear reinforcements

Intended use
Arrangements for HDB complete elements in slabs

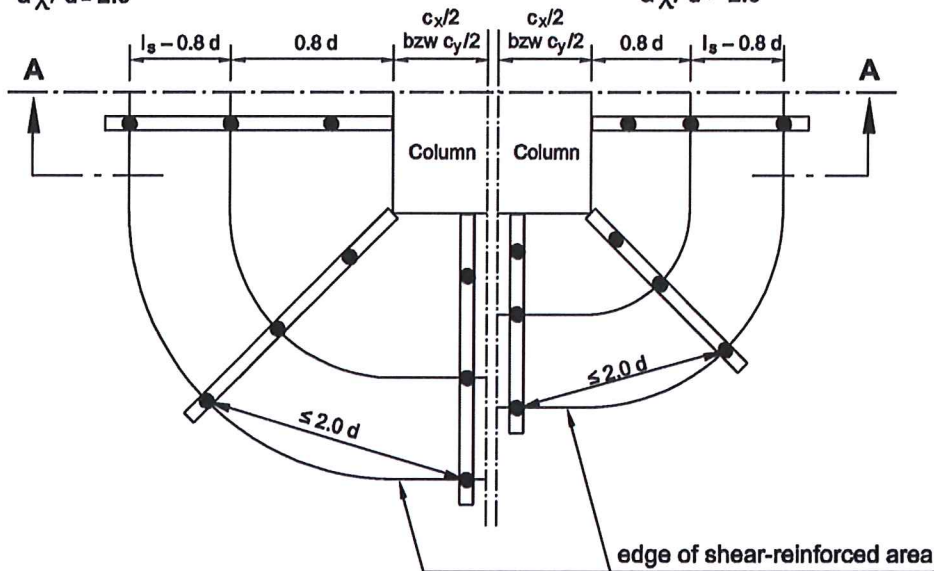
Annex B5

Arrangement of punching shear reinforcement using complete elements in footings and ground slabs

Plan view

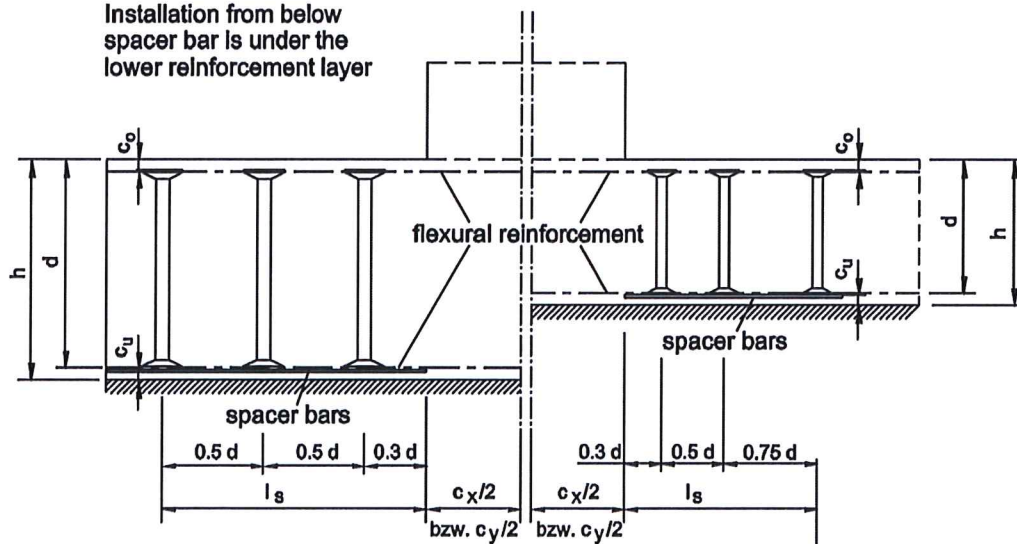
compact foundations
 $a_{\lambda}/d \leq 2.0$

slender foundations
 $a_{\lambda}/d > 2.0$



Section A - A

Installation from below
spacer bar l_s under the
lower reinforcement layer



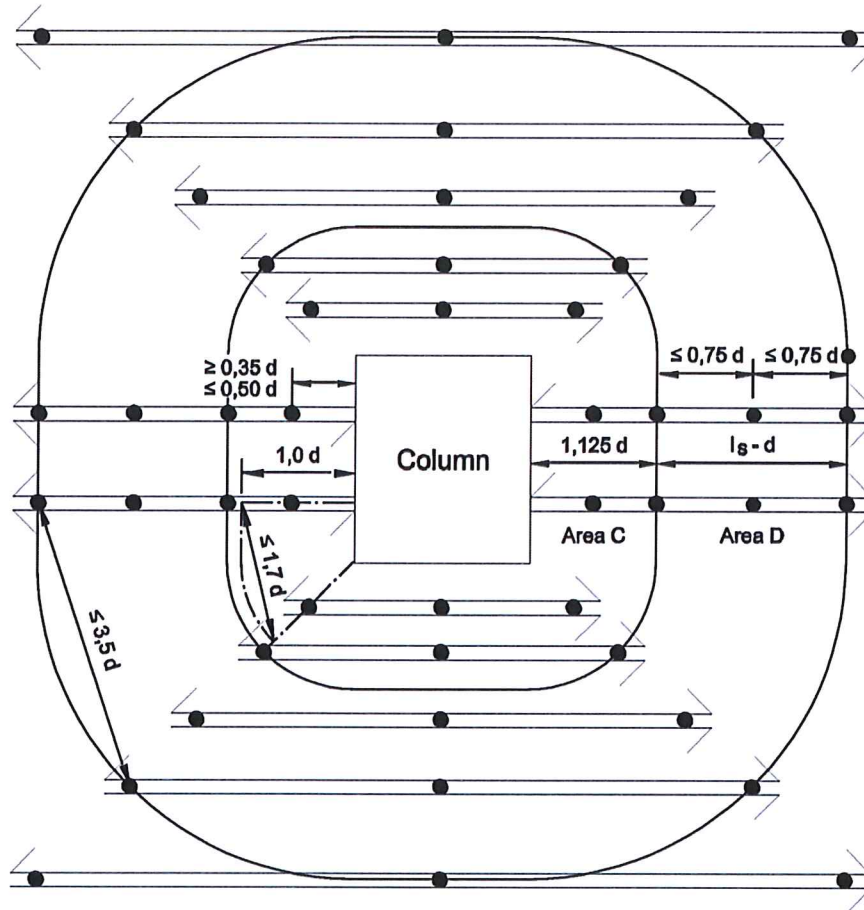
Concrete cover c_o resp. c_u acc. to EN1992-1-1 : 2004 + AC : 2010, section 4.4

HALFEN HDB double headed studs for punching shear reinforcements

Intended use
Arrangements for HDB complete elements in footings and ground slabs

Annex B6

Orthogonal arrangement of punching shear reinforcement in slabs

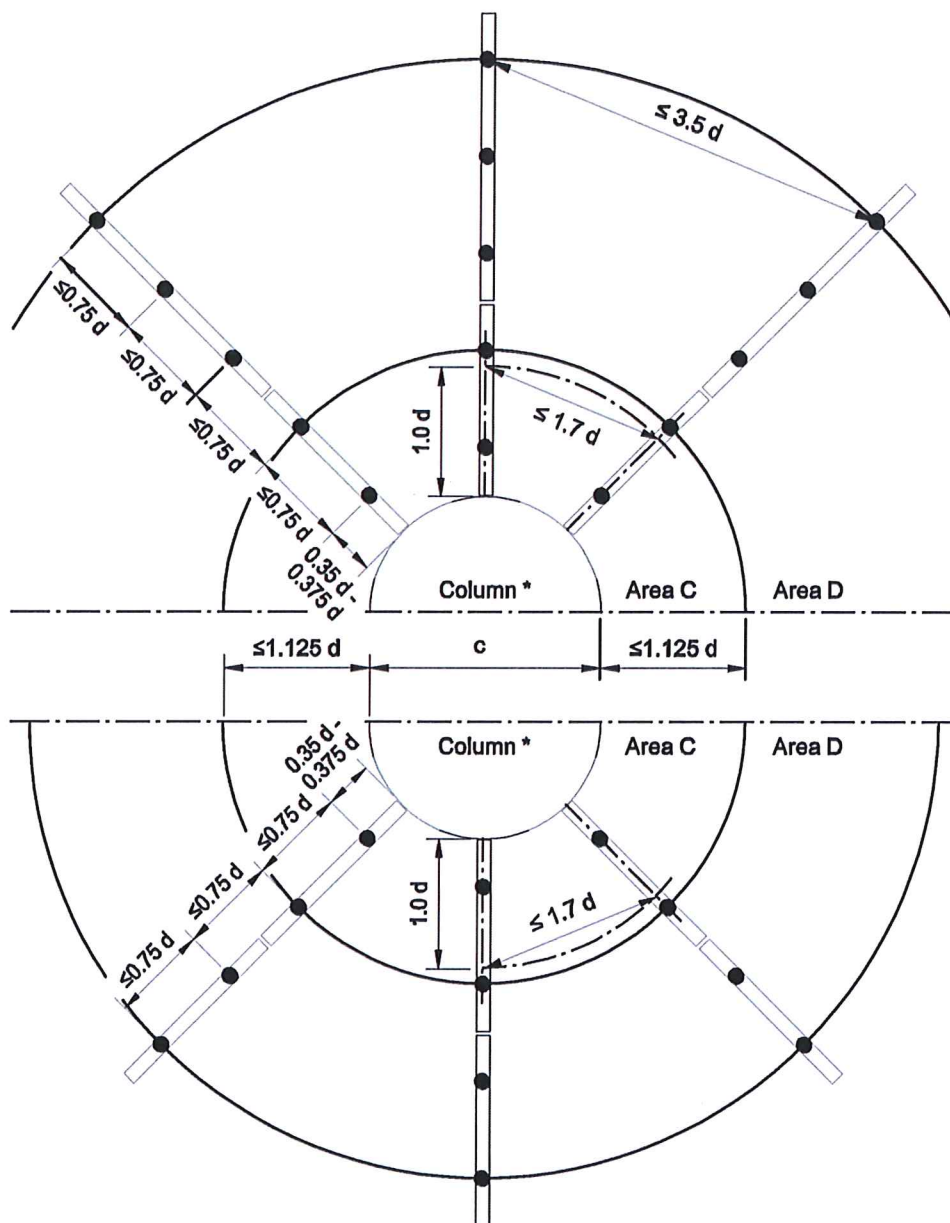


HALFEN HDB double headed studs for punching shear reinforcements

Intended use
HDB parallel arrangement in slabs

Annex B7

Placing the punching shear reinforcement with 2- or 3- stud standard-elements in slabs



* For combination of 2- or 3- stud elements
in similar on rectangular columns

HALFEN HDB double headed studs for punching shear reinforcements

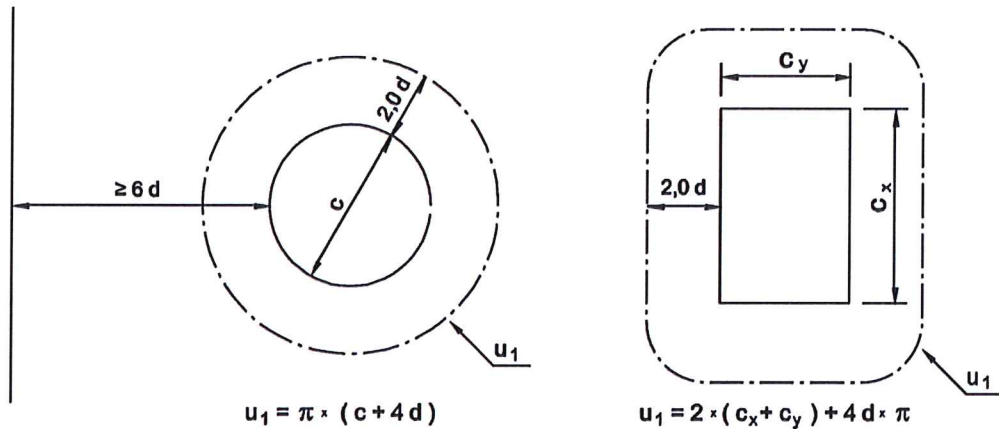
Intended use
HDB arrangement for 2- and 3- stud standard-elements in slabs

Annex B8

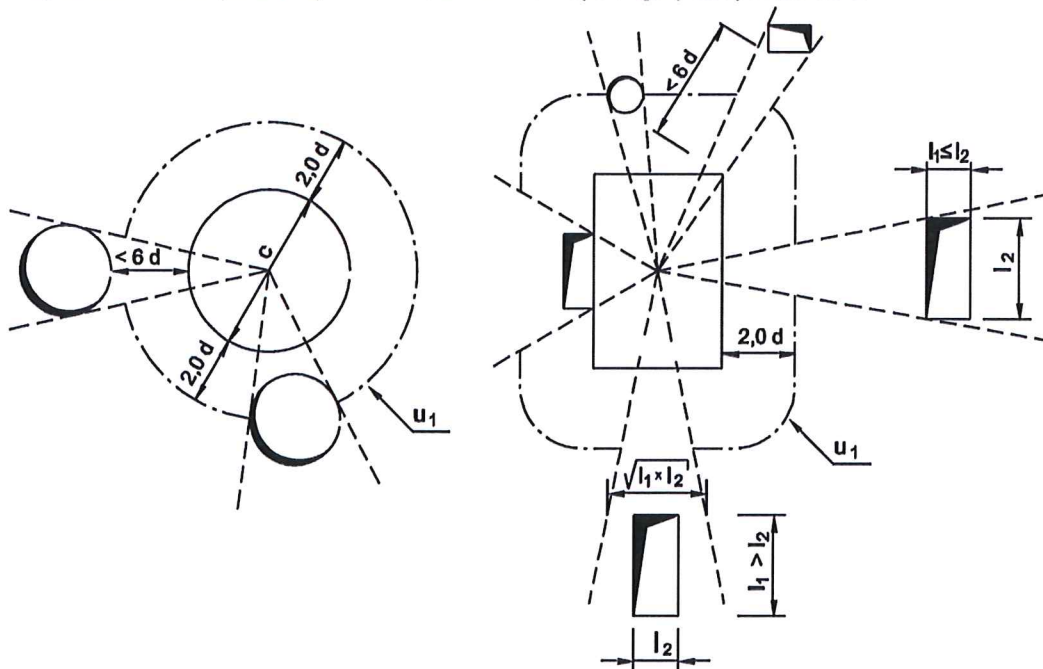
Defining the critical perimeters u_1 and u_{out}

1. Critical perimeter u_1

a) Loaded areas (columns) are more than $6d$ from openings or slab free edges



b) Loaded areas (columns) are less than $6d$ from openings (voids) in the slab.

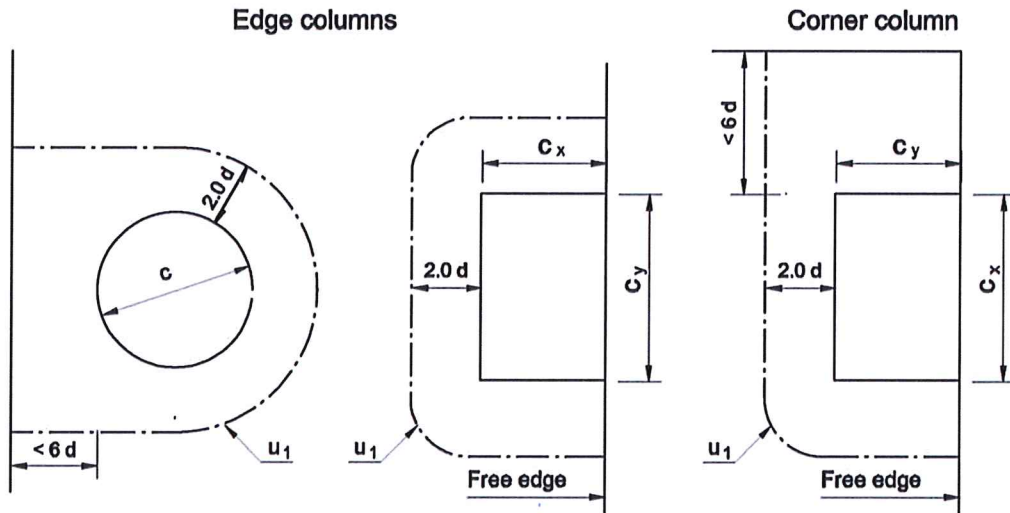


HALFEN HDB double headed studs for punching shear reinforcements

Critical perimeter u_1 and outermost perimeter u_{out}

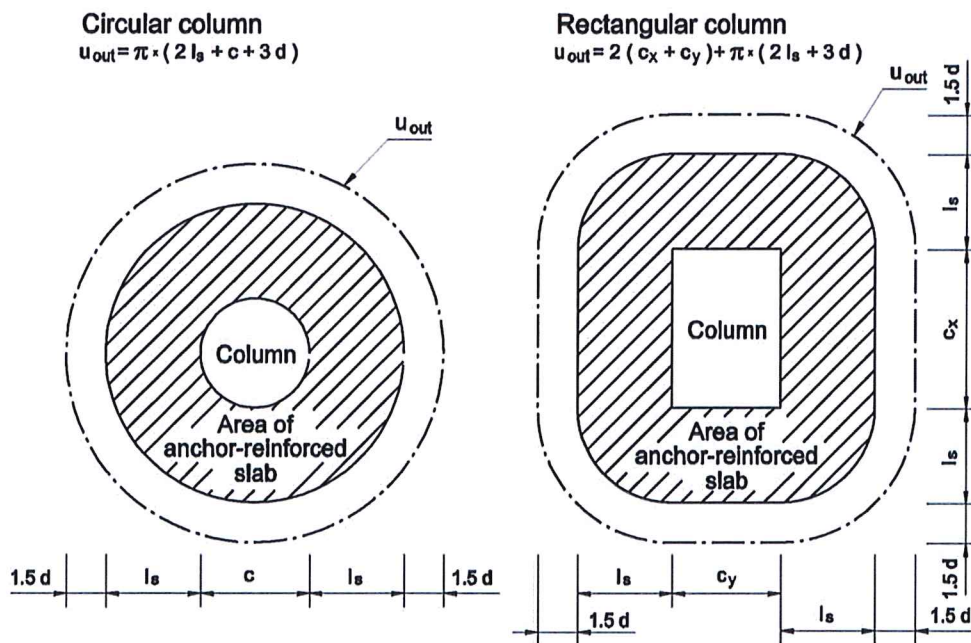
Annex C1

c) Loaded areas (columns) at distances less than 6 d from free edges



2. Outermost perimeter u_{out}

a) Loaded areas (columns) are more than 6 d from openings or slab free edges

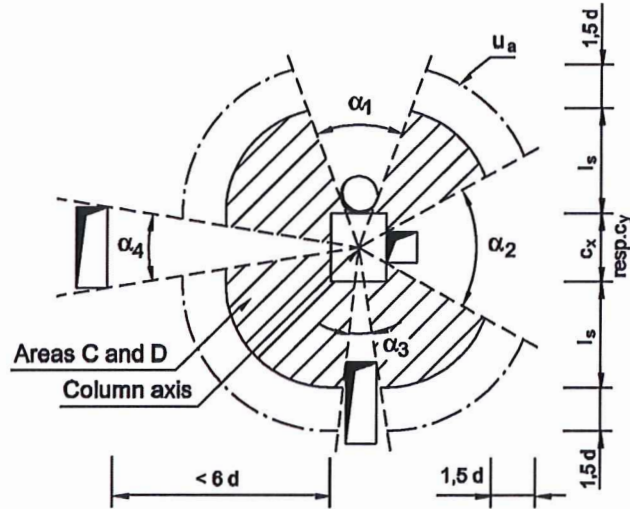


HALFEN HDB double headed studs for punching shear reinforcement

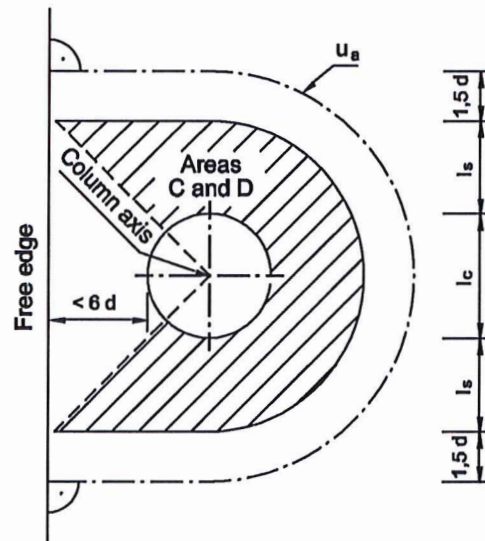
Critical perimeter u_1 and outermost perimeter u_{out}

Annex C2

a) Loaded areas (columns) are less than 6 d from opening in the slab



b) Loaded areas (columns) are less than 6 d from free edges



HALFEN HDB double headed studs for punching shear reinforcements

Critical perimeter u_1 and outermost perimeter u_{out}

Annex C3

CONTACT HALFEN WORLDWIDE

HALFEN is represented by subsidiaries in the following countries, please contact us:

Austria	HALFEN Gesellschaft m.b.H. Leonard-Bernstein-Str. 10 1220 Wien	Phone: +43-1-259 6770 E-Mail: office@halfen.at Internet: www.halfen.at	Fax: +43-1-259-677099
Belgium / Luxembourg	HALFEN N.V. Borkelstraat 131 2900 Schoten	Phone: +32-3-658 07 20 E-Mail: info@halfen.be Internet: www.halfen.be	Fax: +32-3-658 1533
China	HALFEN Construction Accessories Distribution Co.Ltd. Room 601 Tower D, Vantone Centre No. A6 Chao Yang Men Wai Street Chaoyang District Beijing · P.R. China 100020	Phone: +86-10 5907 3200 E-Mail: info@halfen.cn Internet: www.halfen.cn	Fax: +86-10 5907 3218
Czech Republic	HALFEN s.r.o. Business Center Šafránkova Šafránkova 1238/1 155 00 Praha 5	Phone: +420 - 311-690 060 E-Mail: info@halfen.cz Internet: www.halfen.cz	Fax: +420-235-314 308
France	HALFEN S.A.S. 18, rue Goubet 75019 Paris	Phone: +33-1- 445231 00 E-Mail: halfen@halfen.fr Internet: www.halfen.fr	Fax: +33-1-445231 52
Germany	HALFEN Vertriebsgesellschaft mbH Liebigstr. 14 40764 Langenfeld	Phone: +49-2173-970-0 E-Mail: info@halfen.de Internet: www.halfen.de	Fax: +49-2173-970 225
Italy	HALFEN S.r.l. Soc. Unipersonale Via F.lli Bronzetti N° 28 24124 Bergamo	Phone: +39-035-0760711 E-Mail: tecnico@halfen.it Internet: www.halfen.it	Fax: +39-035-0760799
Netherlands	HALFEN b.v. Oostermaat 3 7623 CS Borne	Phone: +31-74-267 14 49 E-Mail: info@halfen.nl Internet: www.halfen.nl	Fax: +31-74-267 26 59
Norway	HALFEN AS Postboks 2080 4095 Stavanger	Phone: +47-51 82 34 00 E-Mail: post@halfen.no Internet: www.halfen.no	Fax: +47-51 82 34 01
Poland	HALFEN Sp. z o.o. Ul. Obornicka 287 60-691 Poznan	Phone: +48-61-622 14 14 E-Mail: info@halfen.pl Internet: www.halfen.pl	Fax: +48-61-622 14 15
Spain	HALFEN Spain PLAKABETON S.L. Polígono Industrial Santa Ana c/ Ignacio Zuloaga 20 28522 Rivas-Vaciamadrid	Phone: +34 916 669 181 E-Mail: info@halfen.es Internet: www.halfen.es	Fax: +34 916 669 661
Sweden	Halfen AB Vådursgatan 5 412 50 Göteborg	Phone: +46-31-98 58 00 E-Mail: info@halfen.se Internet: www.halfen.se	Fax: +46-31-98 58 01
Switzerland	HALFEN Swiss AG Hertistrasse 25 8304 Wallisellen	Phone: +41-44-849 78 78 E-Mail: info@halfen.ch Internet: www.halfen.ch	Fax: +41-44-849 78 79
United Kingdom/ Ireland	HALFEN Ltd. A1/A2 Portland Close Houghton Regis LU5 5AW	Phone: +44 -1582- 47 03 00 E-Mail: info@halfen.co.uk Internet: www.halfen.co.uk	Fax: +44- 1582-47 03 04
United States of America	HALFEN USA Inc. PO Box 18687 San Antonio TX 78218	Phone: +1 800.423.91 40 E-Mail: info@halfenusa.com Internet: www.halfenusa.com	Fax: +1 877.683.4910
For countries not listed HALFEN International	HALFEN International GmbH Liebigstr. 14 40764 Langenfeld / Germany	Phone: +49-2173-970-0 E-Mail: info@halfen.com Internet: www.halfen.com	Fax: +49-2173-970-849

Furthermore HALFEN is represented with sales offices and distributors worldwide. Please contact us: www.halfen.com

NOTES REGARDING THIS CATALOGUE

Technical and design changes reserved. The information in this publication is based on state-of-the-art technology at the time of publication. We reserve the right to make technical and design changes at any time. HALFEN GmbH shall not accept liability for the accuracy of the information in this publication or for any printing errors.

The HALFEN GmbH subsidiaries in Germany, France, the Netherlands, Austria, Poland, Switzerland and the Czech Republic are Quality Management certified according to **ISO 9001:2015**, Certificate no. 202384-2016-AQ-GER-DAkKS.





For further information please contact: www.halfen.com